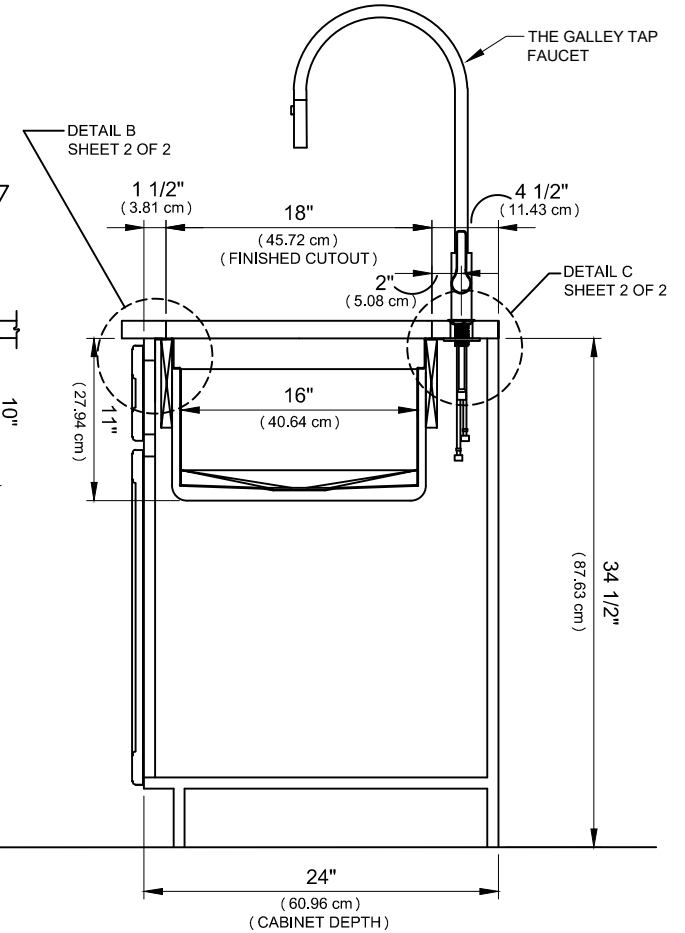
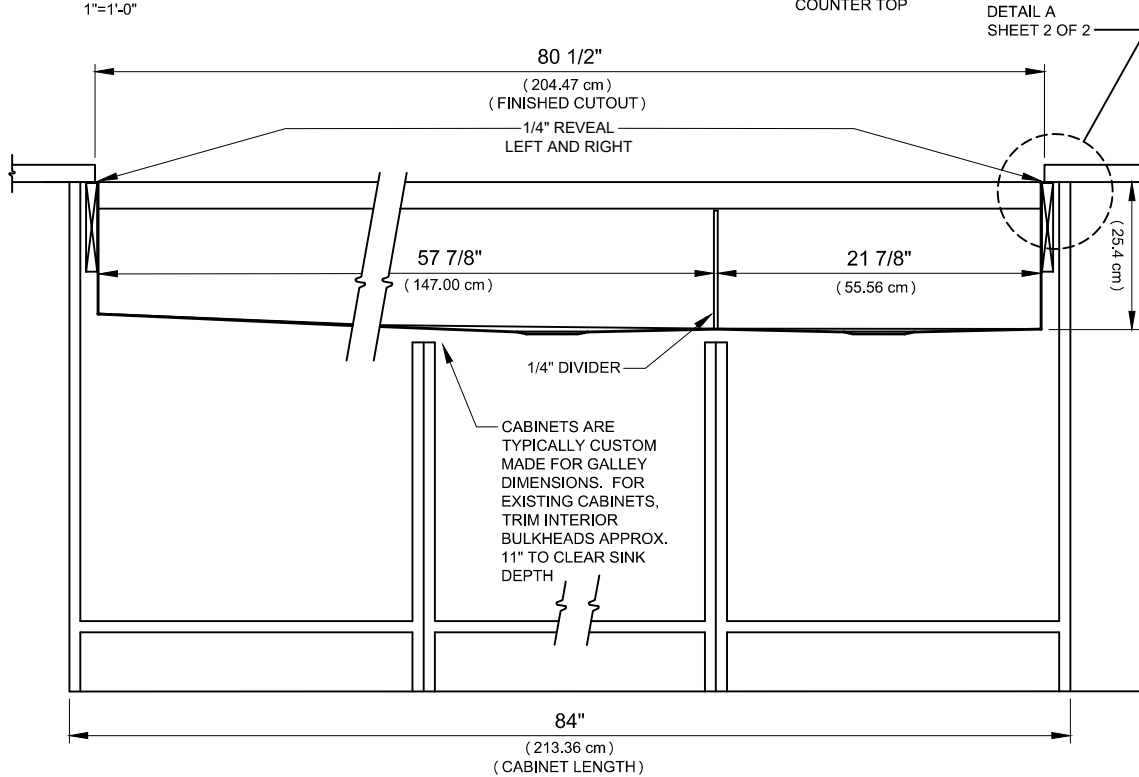
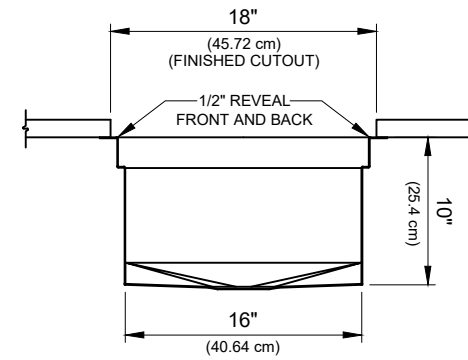
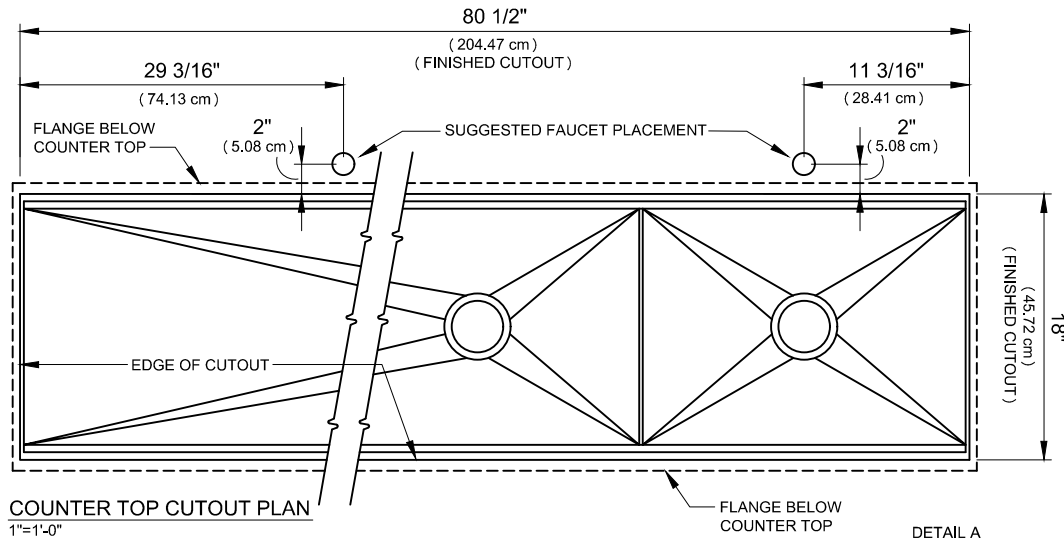


**IDEAL WORKSTATION 7 - DOUBLE BOWL (IWS 7-D)**  
**INSTALLATION & COUNTER TOP CUTOUT**



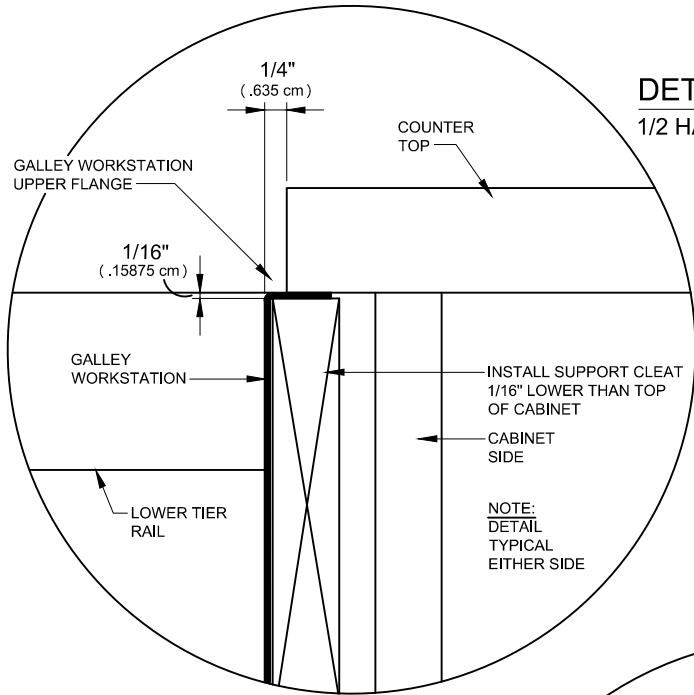
INSTALLATION AND COUNTER TOP CUTOUT DETAIL  
 SHEET 1 OF 2

STAINLESS STEEL COMPLIANCE ASME A112.19.3-2008/CSA B45.4-08

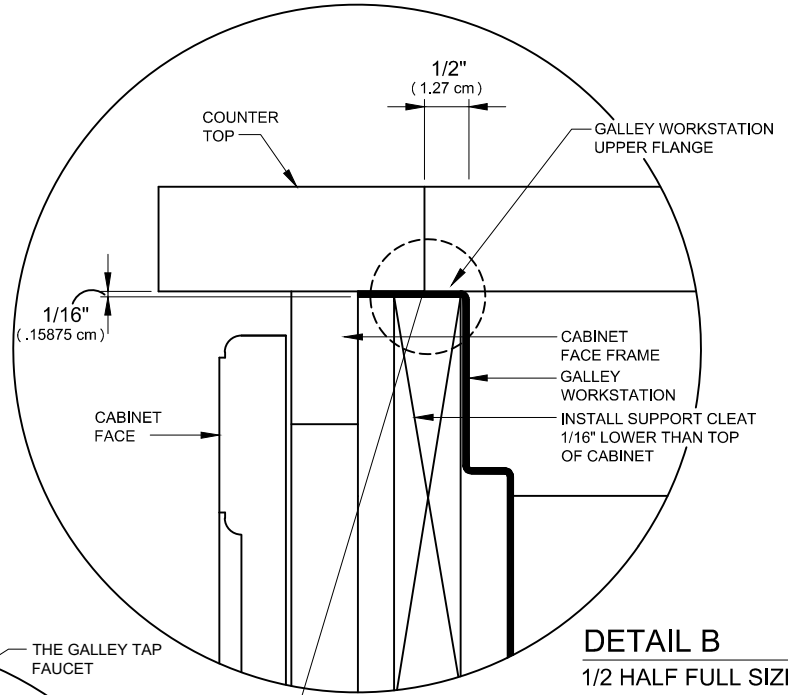
WE RESERVE THE RIGHT TO MAKE REVISIONS WITHOUT NOTICE IN THE DESIGN OF PRODUCTS OR IN PACKAGING UNLESS THIS RIGHT HAS SPECIFICALLY BEEN WAIVED AT THE TIME THE ORDER IS ACCEPTED.

**IWS-7-D**  
 DOUBLE BOWL

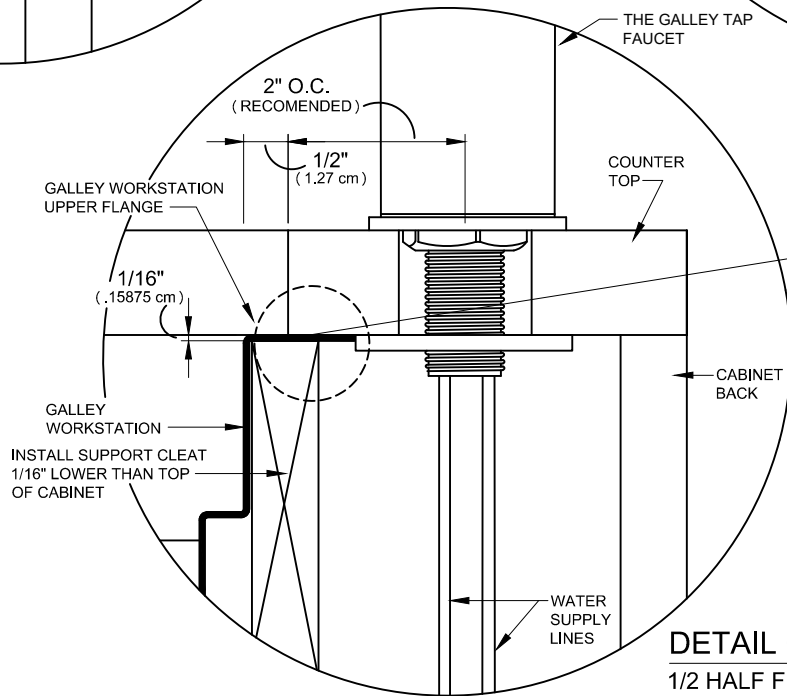
**THE GALLEY**  
 REINVENT YOUR KITCHEN  
 THEGALLEY.COM



**DETAIL A**  
 1/2 HALF FULL SIZE



**DETAIL B**  
 1/2 HALF FULL SIZE



**DETAIL C**  
 1/2 HALF FULL SIZE

**FOR A SILICONE-FREE FLANGE:**

- COVER WHAT WILL BE THE EXPOSED 1/2" OF TOP FLANGE WITH TAPE.
- APPLY A HEAVY BEAD OF SILICONE TO THE UN-TAPED PART OF THE FLANGE.
- SET THE COUNTER TOP, PRESS DOWN ONTO THE FLANGE. THE SILICONE SHOULD FILL ANY GAPS.
- WIPE EXCESS SILICONE OFF OF EXPOSED FLANGE.
- REMOVE TAPE

**IWS-7-D**  
 DOUBLE BOWL

INSTALLATION AND COUNTER TOP CUTOUT DETAIL  
 SHEET 2 OF 2

STAINLESS STEEL COMPLIANCE ASME A112.19.3-2008/CSA B45.4-08

WE RESERVE THE RIGHT TO MAKE REVISIONS WITHOUT NOTICE IN THE DESIGN OF PRODUCTS OR IN PACKAGING UNLESS THIS RIGHT HAS SPECIFICALLY BEEN WAIVED AT THE TIME THE ORDER IS ACCEPTED.